

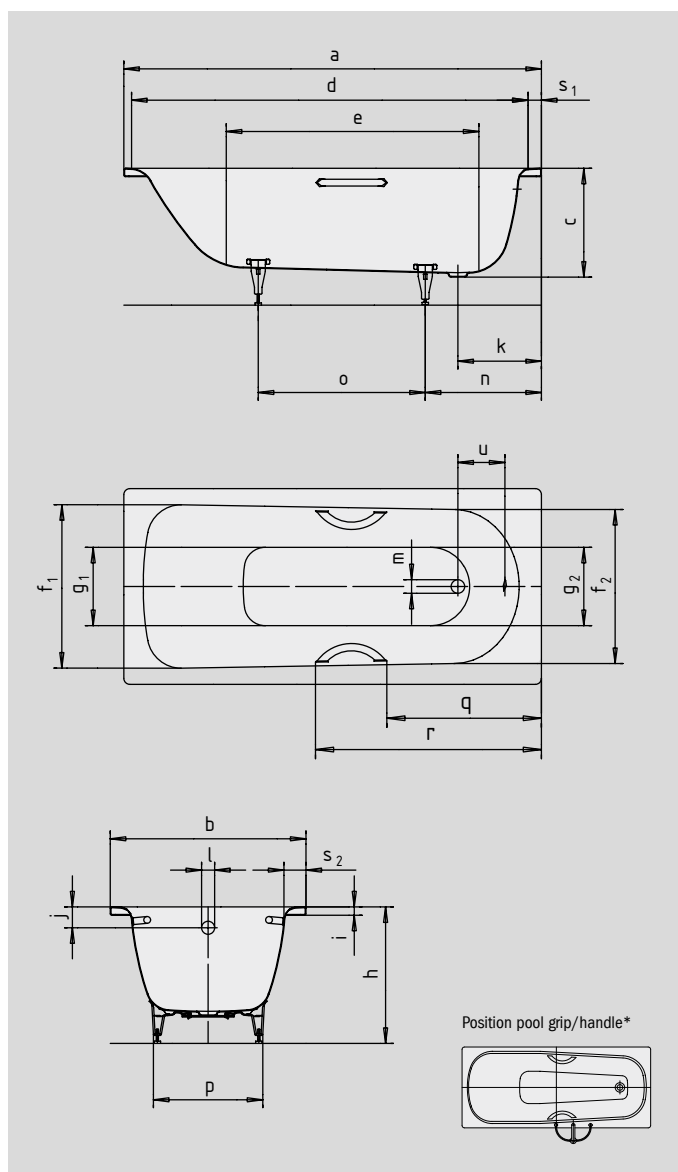
SANIFORM PLUS

SANIFORM PLUS STAR

- one-seater bath with waste at foot end
- classic four-cornered model
- made of Kaldewei steel enamel 3,5 mm
- also available with grips/handles



Similar illustration



| Model No. | | 360-1/330 | 361-1/331 | 362-1/332 | 363-1/335 | 371-1/334 | 372-1/333 | 373-1/336 | 374/*338 | 375-1/337 |
|---|---------------------------------|------------|------------|-------------|-------------|-------------|-------------|-------------|-------------|----------------|
| External length | a | 1400 | 1500 | 1600 | 1700 | 1700 | 1600 | 1700 | 1750 | 1800 mm |
| External width | b | 700 | 700 | 700 | 700 | 730 | 750 | 750 | 750 | 800 mm |
| Depth | c | 410 | 410 | 410 | 410 | 410 | 410 | 410 | 430 | 430 mm |
| Internal length (top) | d | 1230 | 1330 | 1430 | 1530 | 1530 | 1430 | 1530 | 1630 | 1630 mm |
| Internal length (bottom) | e | 850 | 950 | 1050 | 1150 | 1150 | 1050 | 1150 | 1200 | 1250 mm |
| Internal width (top) | f ₁ ; f ₂ | 550; 530 | 550; 530 | 550; 530 | 550; 530 | 550; 530 | 600; 580 | 600; 580 | 630; 560 | 675; 640 mm |
| Internal width (bottom) | g ₁ ; g ₂ | 390; 350 | 390; 350 | 390; 350 | 390; 350 | 390; 350 | 440; 400 | 440; 400 | 430; 380 | 520; 450 mm |
| Height with feet | h | 545-560 | 545-560 | 545-560 | 545-560 | 545-560 | 545-560 | 545-560 | 565-580 | 555-580 mm |
| Height of rim | i | 32 | 32 | 32 | 32 | 32 | 32 | 32 | 32 | 32 mm |
| Distance top edge to centre of overflow hole | j | 63 | 63 | 63 | 63 | 63 | 63 | 63 | 70 | 75 mm |
| Distance bath edge to centre of drain hole | k | 310 | 320 | 310 | 310 | 310 | 310 | 310 | 285 | 310 mm |
| Diameter of overflow hole | l | 52 | 52 | 52 | 52 | 52 | 52 | 52 | 52 | 52 mm |
| Diameter of drain hole | m | 52 | 52 | 52 | 52 | 52 | 52 | 52 | 52 | 52 mm |
| Distance foot end of bath edge to centre of foot | n | 455 | 445 | 450 | 450 | 450 | 445 | 445 | 450 | 470 mm |
| Distance between the feet | o | 445 | 555 | 600 | 740 | 740 | 640 | 750 | 640 | 830 mm |
| Max. width of feet | p | 380 | 380 | 380 | 380 | 370 | 430 | 430 | 430 | 480 mm |
| Distance bath edge (foot end) to where grip/handle starts | q | 484,5 | 534,5 | 584,5 | 634,5 | 634,5 | 584,5 | 634,5 | 634,5 | 684,5 mm |
| Distance bath edge (foot end) to where grip/handle ends | r | 758,5 | 808,5 | 858,5 | 908,5 | 908,5 | 858,5 | 908,5 | 908,5 | 958,5 mm |
| Width of rim (foot end; lengthwise) | s ₁ ; s ₂ | 70; 75 | 70; 75 | 70; 75 | 70; 75 | 85; 90 | 70; 75 | 70; 75 | 60; 55 | 70; 75 mm |
| Distance between centre holes | u | 212 | 222 | 212 | 212 | 212 | 218 | 218 | 221 | 216 mm |
| Water volume** in litres | | 67 | 82 | 93 | 111 | 111 | 107 | 123 | 145 | 150 |
| Weight of the enamelled bath in kg | | 40 | 40 | 47 | 48 | 49 | 47 | 50 | 55 | 55 |
| Anti-slip | | ∅ 288 | ∅ 288 | ∅ 288 | ∅ 288 | ∅ 288 | ∅ 288 | ∅ 288 | ∅ 288 | ∅ 288 mm |
| Full anti-slip | | 600 x 220 | 600 x 220 | 600 x 220 | 850 x 240 | 850 x 240 | 600 x 220 | 900 x 300 | 600 x 220 | 900 x 300 mm |

Subject to technical alterations, tolerances and errors. Similar illustration.
 ** 70 litres displacement on average.

KALDEWEI